

  
**SWEDISH  
TILED STOVES**

# Instructions for assembly and use



**Camina**  
of Sweden



## Contents

Bear in mind that certain parts of the fire-place become extremely hot in the course of the combustion process, and take suitable precautions if there are children in the vicinity. You should also take into account that a space of at least 1000 mm must be allowed between the front of the hearth and combustible furnishings.

Preparations .....	page 4
-Manufacturer's assurance	
-General	
-Chimney	
-Flue dimensions	
-Chimney height	
-Distance from combustible surfaces	
-Load-bearing structure	
-Hearth base	
-Combustion air	
Order of assembly .....	page 5
Foundations.....	page 6
-Corner location	
-Against a straight wall surface	
-Foundations with under-floor ventilation	
-Concrete floor structure	
-Top connection measurements	
Fitting and assembly.....	page 7-11
-Top connection	
-Principles for rear connection	
Instructions for use and advice.....	page 12-13
-Initial use – "running-in"	
-Fuel	
-Before you light a fire	
-Lighting a fire	
-Inserting logs	
-After the fire has died out	
-Chimney sweeping	
-Fan	
-Maintenance	
-Queries and hints	
Guarantee .....	page 14

## Preparations

### Manufacturer's assurance

This product has been manufactured in accordance with the type approval documentation, of which the instructions for assembly, use and maintenance form an intrinsic part.

### General

Before commencing a **new installation** of a hearth and chimney in an area covered by town planning, you must apply for **planning permission**. The planning and building office in your local municipality will provide further information.

When installation has been completed, it must always be inspected by a chimney sweep before use, irrespective of whether it is connected to an existing chimney or a new chimney.

**Study the assembly instructions carefully before commencing installation.**

### Reception of goods

Check that the number of items corresponds with the delivery note. Check that the goods have not been damaged in transport.

**N.B.** Transport damage must be reported to the transport company (see instructions on the delivery note).

**N.B.** The items delivered should be stored in a dry space at a temperature of not less than 4° C.

### Chimney

If you intend to use a **top flue connection**, Camina's tiled stoves are prepared for light steel chimneys and heavy module chimneys. Follow the chimney supplier's assembly instructions carefully.

If you intend to connect your tiled stove to an **existing chimney**, you should have it inspected by a chimney sweep first, to ensure that it is good order.

The stove can be connected to a chimney approved for a flue-gas temperature of 350° C.

### Flue dimensions

The diameter of the flue must be at least  $\varnothing 150$  mm, with a flue height of 3 metres. In the case of a flue height of 4 m, a diameter of 125 mm is sufficient. The minimum recommended flue height for a top-connected chimney is 3 m, measured from the top of the stove.

### Chimney height

The chimney should extend 1 m above the highest point on the roof of the house. In the case of chimneys which extend more than 1.2 m above the roof at the point of access, a roof ladder or platform is required.

If the chimney extends 2 m above the access point, a work surface and struts fitted to the ladder are called for.

### Distance from combustible surfaces

A combustible wall surface behind the tiled stove must be covered with a fire-protection material such as mine-rite (single thickness). The minimum distance between the stove and the fire-protection surface is 50 mm. In the case of corner and side-wall installation the right-angle distance from the glass panels to the side wall must be at least 400 mm.

### Load-bearing structure

This tiled stove is a heavy, and requires solid concrete foundations. A 3 mm thick plate is available (420 mm X 675 mm) to improve load distributions and speed up the construction of foundations. This plate must be ordered separately.

### Hearth base

The floor must be protected by a hearth base of sufficient size to ensure that the distance between the door and combustible materials is at least 300 mm. The hearth base may consist of sheet metal, brick, concrete, marble, etc.

A hearth-base in black sheet metal or brass is available as an option.

### Combustion air supply

In new, well-sealed houses and, in particular, houses with a powered evacuation system, it is important to ensure that the combustion air is fed directly into the stove. In view of this requirement, Camina tiled stoves have an outdoor air connection point with a diameter of 100 mm. You can also admit air into the room via a vent in the external wall, placed as close to the stove as possible. It should be possible to close this vent when the stove is not in use.

**Study the user instructions carefully before using the stove, and remember that the installation must be first approved by a chimney sweep.**

### Type approval certificate 0109/95



# Swedish Tiled Stoves

## Order of assembly

The photo-sequence show the order of assembly for a Camina tiled stove, step by step, including references to more detailed information concerning installation.

If your tiled stove differs from the particular model

shown in the photo-sequence, you can still follow the instructions since, in principle, the various models are assembled in the same manner.

**Study the assembly instructions in full before commencing installation.**



1. A tiled stove is a heavy item which requires solid concrete foundations. An external air feed may be fitted (see Photo No. 32). If you plan to use a top chimney connection, you should check that there are no roof trusses or joists in the way. See page 6 for dimensions for foundations, air-feed connections and distances from wall surfaces.

2. If there is a combustible wall surface behind the stove, it must be covered with a fire-protection sheeting material such as minerite to which a textured paint finish can be subsequently applied to resemble a plastered chimney. This sheet must be at least as wide as the back of the stove.



3. Lift the casing structure into place and centre it on the foundations. The casing is designed for handling on a bricklayer's barrow. Additional steel lifting points are attached to the rear of the stove, in the floor opening. Adjust the distance from the wall. Check that the casing is vertical and adjust by using the washers supplied. The casing structure must be stable, and should not rock.

**IMPORTANT:** in order to avoid seepage from the concrete, we recommend that the foundations and the surrounding floor surfaces are covered with plastic foil.

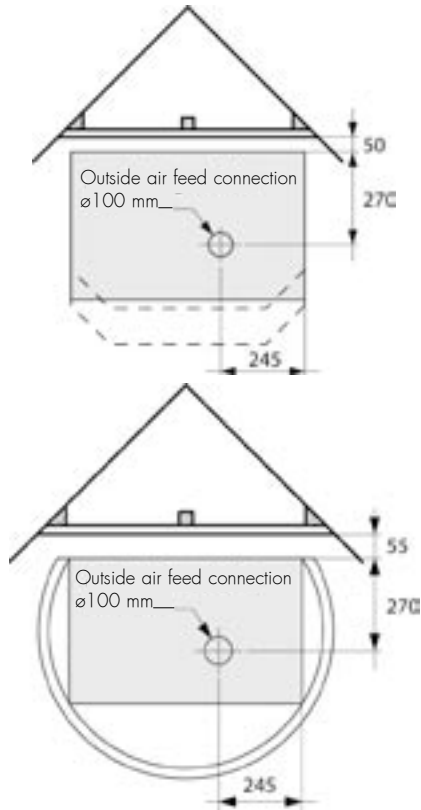
4. Use the plate supplied to cover the flues inside the outer sections. Bend the front edges as shown in Photo No. 6. The casing is filled with a mortar mix consisting of sand, cement and Leca (see Photo No. 5), as supplied in the consignment. Follow the mixing instructions. Bend the front corners of the plate downwards to ensure a good fit.



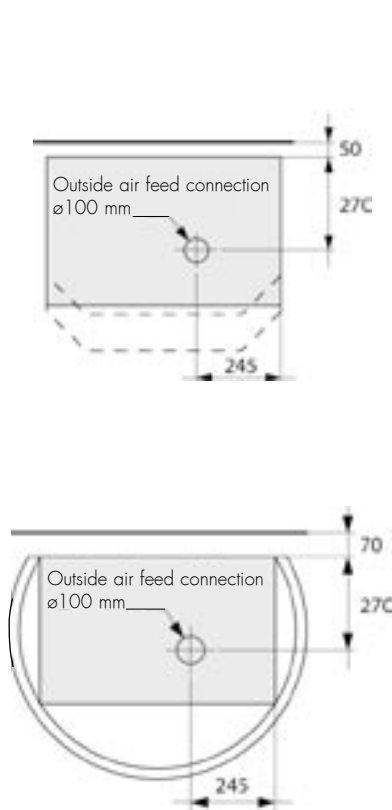
## Foundations

Measure and mark out a **430 X 680 mm** hole. Cut through the flooring, insulation and the under-floor structure. N.B. Do not saw through joists. If the floor structure consists of a concrete platform and insulation, joists or a floating floor structure, remove the flooring, insulation material and, if necessary, joists.

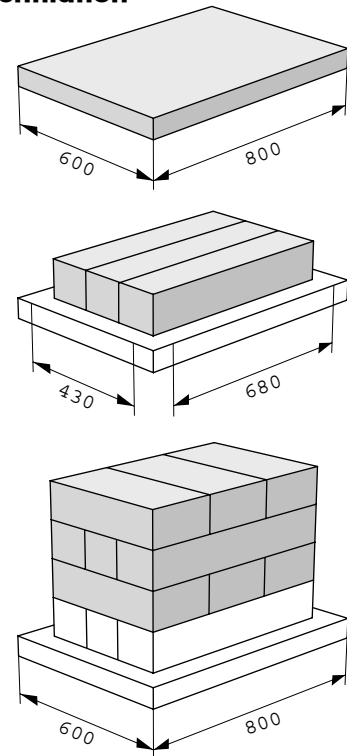
### Corner location



### Wall location

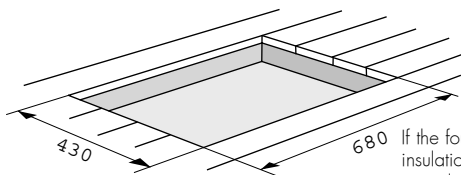


### Foundations with under-floor ventilation



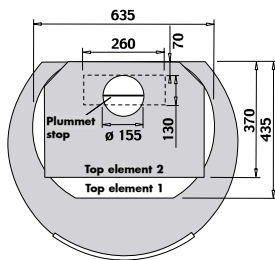
Spread a bed of concrete to a thickness of 50-70 mm on "firm ground" and cement a layer of lightweight concrete blocks (e.g. Siporex or Leca) in place. Continue to cement additional Siporex or similar blocks in position until they are a few centimetres lower than the floor height required. Then level off with mortar to achieve the desired floor height.

### Concrete floor structure

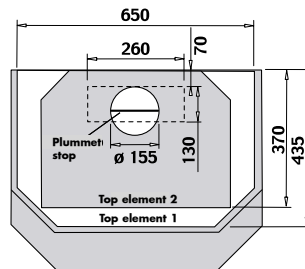


If the foundations consist of a concrete platform covered by insulation, the cut-out should be filled with Siporex cement or a similar material and then plastered level with the upper floor surface.

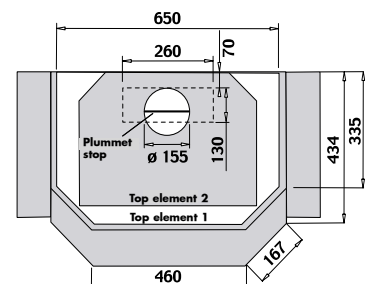
### Top connection measurements



Silvia



Rectangular tiled stove



Rectangular tiled stove with sidepieces

When placing Silvia against a straight wall, the diagramme above indicates the adjustment and cutting of the tiles in line with the back of the casing. Tiles are cut and adjusted in the course of the assembly process. The set of tiles supplied is designed for a totally round structure in a free-standing location. Normally, no tiles need to be cut if the stove is to have a corner location.

# Swedish Tiled Stoves



5. The cement mix consists of three components: sand, cement and leca. Mix 2 1/2 sacks of sand with 1 sack of cement and 1/5 sack of leca and add 10-12 litres of water per mix. SERPO 224 cement is used for the connection point.



6. Place a small quantity of the cement mix at a time on the cover plate and push it down into the outer compartments. Each operation must be completed in a single sequence.



7. Tap the external sides of the casing at regular intervals using a rubber mallet to ensure that the mix drops down and is compacted. A muffled response indicates that this process has been completed. The mantelpiece has two air-holes to facilitate compaction. Use a strip of wood to tamp down the cement mix.



8. Complete the process by levelling off the surface, in line with the casing. Make sure that the damper shaft moves freely. Remove the cover plate. In the case of the Madeleine, Viktoria or Kristina models, the additional sidepieces should be fitted at this stage. Put the sidepieces in position and mark the casing where holes are to be drilled. Use the 5.2 mm diameter drill supplied, and screw the sides into place. Cover the upper holes with tape or a similar material and fill the sides with the cement mix. In the case of the Madeleine and Viktoria models, the final stage in the filling process is to place the sheetmetal "lid" in the mix to permit the subsequent attachment of tiles.



9. Cover the filler with an even layer of mortar (SERPO). This can be done while both surfaces are wet. Then put the first top element in place, centre it and attach it firmly by tapping it with the rubber mallet. Check that the damper shaft moves freely and that there is no mortar on it. Brush all joints with a damp brush to ensure that they are absolutely airtight.



10. If you are going to use a top flue connection, a second top element is required. The first stage is to apply a smooth layer of mortar (SERPO), in the same manner as for the first top element.



11. Centre the second top element on the chimney hole and attach it firmly by tapping it with the rubber mallet. Brush the joints with a damp brush. N.B. The cut-off corners and the flue-connection hole must face the wall, with the plummet stop underneath.



12. If a masonry-block chimney is to be used, the location plate (round concrete ring) must be fitted. We recommend that you wait for a day or so before you assemble the masonry chimney.

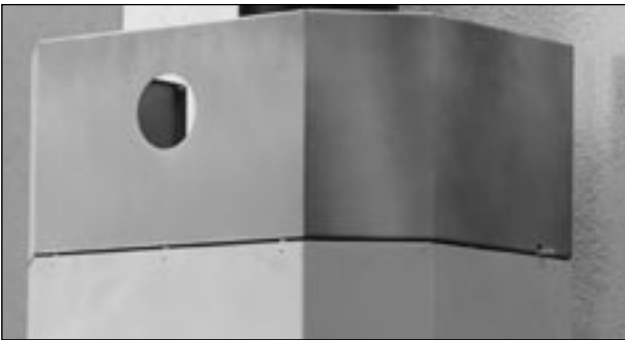
## Swedish Tiled Stoves



13. If a steel chimney is to be used, a connection insert is normally required. Smear a thin layer of stove sealant onto the insert and push it down into the top element. **N.B.** The connection insert is included in the chimney delivery, and should be specified when placing the order.



14. Fit the steel chimney in accordance with the chimney supplier's instructions.



15. The installation should normally be inspected by a chimney sweep before the metal extension cover is fitted. The door front should be fitted prior to inspection (see Photo 29). Consult the chimney sweep regarding the correct assembly height. After inspection of the chimney connection is completed, the extension cover should be popriveted in place, using the rivets supplied. **N.B.** Countersink the holes prior to riveting, using a countersink tool or a 8-10 mm drill, thus ensuring that the rivet head will not be visible after filler has been applied. Countersinking is not essential in the case of tiled models. Remove the door front after completion of the inspection process. 15



16. If you are going to fit tiles, move on the Photo 29. The foot-moulding and mantelpiece décor below (Photo 17) and above (Photo 18) the hearth are fixed in place with the silicon adhesive supplied. Use a spirit level to ensure they are horizontal.

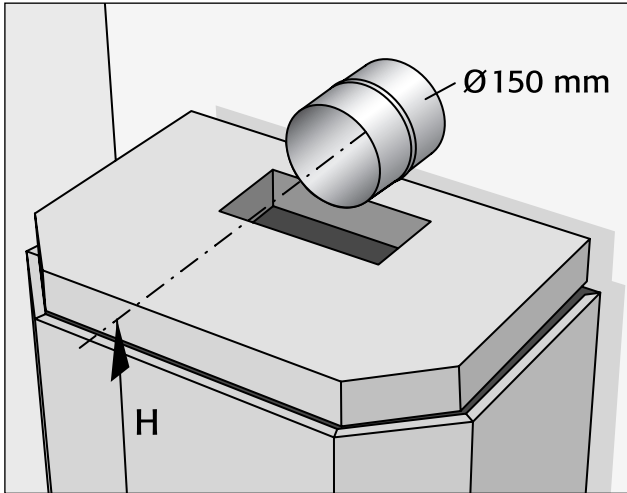


17. Screw the foot-moulding support brackets in place and apply silicon to attach the moulding. Make sure the height is correct, otherwise it will be impossible to fit the door front. You should also check that the foot-moulding is horizontal. **N.B.** The support brackets are only used during assembly, and should be removed after the adhesive has dried, prior to painting.

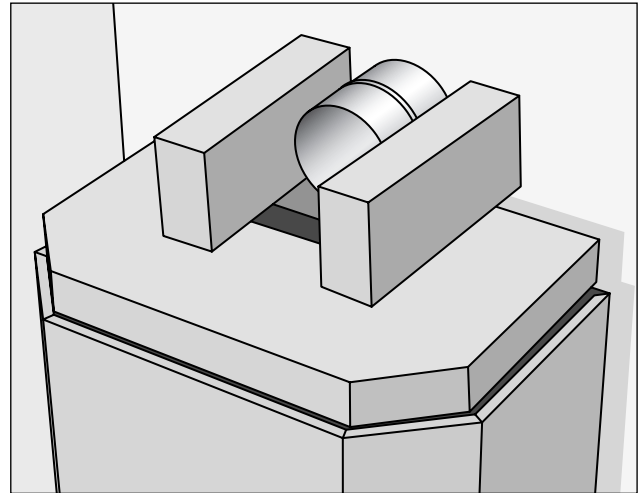


18. Fit the mantelpiece and fix it in place with silicon adhesive. Check that it is horizontal.

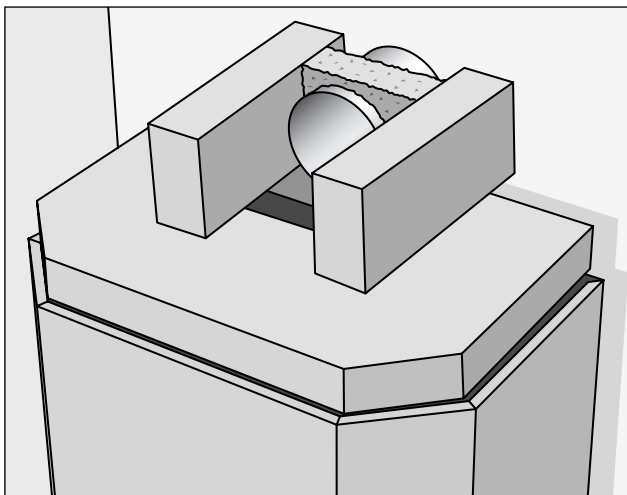
## Principles for a rear chimney connection



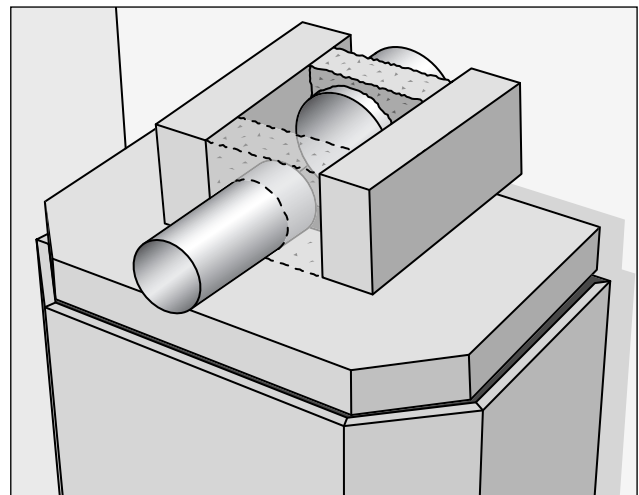
19. If the stove is to have a rear chimney connection, the connection pipe must project at the back edge of the stove flue channel. The connection pipe (150 mm diameter) and the wall insert are not included in the delivery, but are available as an option. The wall insert is cemented into the chimney, and the connection pipe is tamped into the insert. H = central point for the chimney hole: Minimum 2085 mm, and 1795 mm for a lower ceiling height.



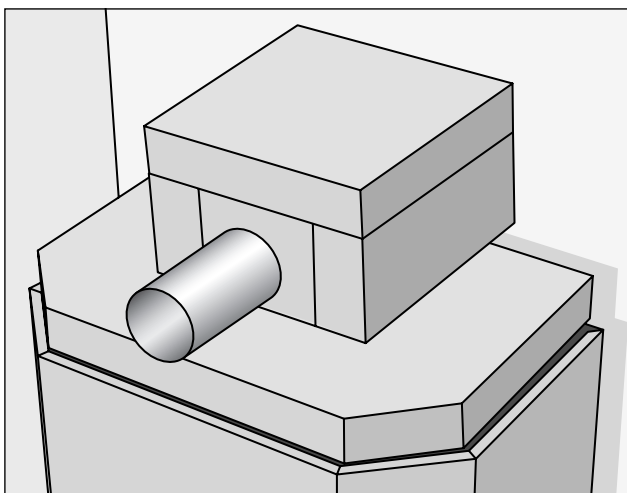
20. Cement two blocks in place, on edge, in accordance with the illustration. These components are included in the rear-connection package.



21. Use mortar and block chippings to cement the connection pipe in place between the blocks. Check that a good seal is achieved.



22. Use the upper cover plate to check that the soot-inspection insert is in the correct location, and cement it into place. The soot-inspection insert should extend approximately 10 mm beyond the extension cover plate, or approximately 30 mm if the stove is to be tiled.



23. Cement the lid in place and brush all joints with a wet brush. At this stage, the installation should be inspected by a chimney sweep before continuing assembly. After inspection, fit the metal extension cover and rivet it in position with poprivets in all the available holes.

**The minimum distance from the upper side of the lid to a combustible ceiling surface is 150 mm. If the distance is less than this, the upper surface must be insulated with mineral fibre, allowing for an air gap of at least 50 mm. Check with the chimney sweep if there is any uncertainty on this point.**

## Swedish Tiled Stoves



24. If you want to fit a niche, check that it is properly centred and attach it with silicon adhesive.



25. Apply filler (included in the delivery consignment) between the metal extension cover and the casing.



26. Lift the canopy/crown into place, check that it is properly centred and attach it with silicon adhesive.



27. The tiled stove is ready for the application of an external finish.

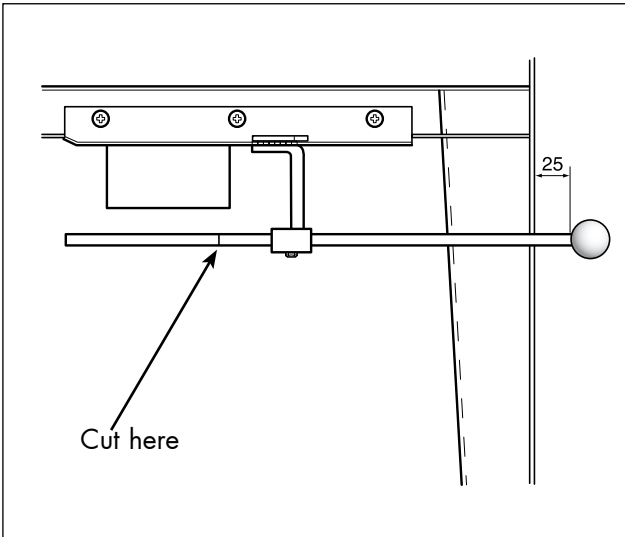
# Swedish Tiled Stoves



28. In the case of a rustic model, a textured plaster or similar product should be painted over the casing, using a large brush, for example. It is best to wait until the stove is dry. Immediately after assembly, the stove will contain 50-60 litres of water, which should be allowed to dry out. This takes 3-4 weeks. Light the stove to dry it out before you paint it. The stove should normally be painted with a water-based textured plaster such as Nordsjö Santex M. It can be touched up with a standard non-gloss latex paint such as Nordsjö Bindoplast grade 4 gloss.



29. Screw the hearth door front in place, using the 4+2 screws supplied. The 2 short 20 mm screws are fitted in the lower attachment points. The holes at the bottom edge of the front are covered with the plugs included in the pack. N.B. Before you fit the front, check that the sealing gasket on the casing is undamaged and is properly located in its groove. You should also check that the seal on the convection pipe (rectangular pipe at the top of the hearth unit) is undamaged and in place. When you have fitted the hearth front, check that the front and the convection pipe seal properly, and that the seal is under pressure.



30. The outdoor air-intake shaft is fitted subsequently. The shaft should stick out at least 25 mm when it is pushed in (closed position). Lock the shaft with the locking screw. In the case of a rustic model (plastered surface), the shaft should be cut off at the point indicated.



31. Tiles are attached to the casing, using silicon adhesive. Follow the separate instructions included with the tile pack.



32. Connect the outdoor air feed directly to the hearth, using a flexible metal pipe with a diameter of 80 mm. Sheathe the pipe with 30 mm of insulation material to prevent condensation. An air-feed kit is supplied as an optional extra.



33. The fan (optional accessory) should be fitted in accordance with the special instructions included in the fan kit.

## Instructions for use and advice

# Using a tiled stove

### Initial use – “running-in”

Traditional tiled stoves had to dry out for several months before they could be used. Swedish Tiled Stoves, however, may be used after two weeks, if the necessary precautions are taken. For the first month, large fires should be avoided. It is also an advantage to maintain an even temperature, which means using the stove frequently, but with a smaller fire. This ensures that the drying process is as even as possible.

Continue to use the stove carefully for the first two months, burning not more than 2.5 kg of logs at a time. When the stove has dried out properly, there is less need for caution. In principle, tiled stoves call for two fires a day, with 1-2 log insertions. If a tiled stove is used properly, it will provide an even, comfortable heat output, although obviously heating requirements will always be the primary factor.

### Fuel

All types of logs are suitable for Swedish Tiled Stoves – ranging from deciduous wood such as birch, beech, oak and alder, to coniferous wood such as pine and spruce. Manufactured fuel products such as briquettes are also suitable.

The energy output varies, depending on the type of wood used – higher density wood means a higher energy value. Freshly cut logs have a 50 % moisture content. Logs should always be allowed to dry out before use until the moisture content is less than 20 %. If the logs are not dry, a high proportion of the energy content is spent on evaporating the moisture, and the combustion process is unsatisfactory, with soot and tar deposits in the hearth and the chimney. This results in soot on the glass panels and increases the risk of chimney fires.

The best way of ensuring that dry logs is to use wood that has been cut in the winter and stored under cover during the spring/summer season, with good air circulation. If you use a tarpaulin as a covering, make sure it does not cover the wood fully down to the ground, since this hinders the drying process.

It is a good idea to always store a small quantity of logs indoors, prior to use – preferably close to the stove. This allows external moisture to evaporate.

Warning! It **is forbidden** to burn timber containing preservatives, paint or adhesives, and plastics or coated paper such as colour brochures. During the combustion process, these materials release substances which are hazardous to health and may damage the stove. They can also attack the steel in the flue pipe and the

mortar in a masonry chimney.

### Before you light a fire

**Important:** Make sure you have the right air pressure in the room when you light a fire. Make a habit of ensuring a satisfactory air feed by opening a window slightly or leaving a door ajar. You should always remember to check that your kitchen extractor-fan is not operating in its maximum position.

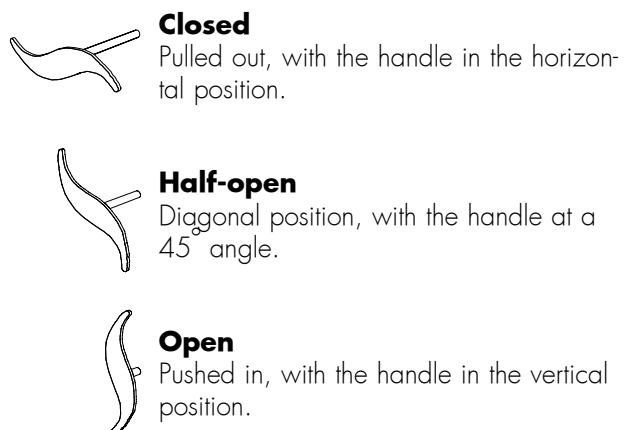
Open the grate disc, pull the control lever outwards, rake ashes into the ash box and empty it.

If you leave a thin layer of ash and charcoal on the cast-iron base, this will ensure that you soon have a bed of glowing embers. The grate disc should be closed during the combustion process.

**IMPORTANT:** When the ash tray is to be emptied, make sure it does not contain any glowing embers. Never empty the ash into a combustible container, and store the ashes for at least 24 hours, prior to disposal. Wood ash is an excellent fertilizer for a vegetable patch.

### Lighting a fire

When you light your tiled stove, the upper flue damper should always be fully open. The damper has three positions, and is controlled by pulling and turning at the same time (see the diagramme).



The lower damper which controls the stove's air intake must always be in the open position when the fire is lit. The damper is in the open position when the control is pulled out, and closed when it is pushed in.

In order to optimise combustion efficiency, all Swedish Tiled Stoves have provision for a secondary air intake. Air is fed into the combustion process via a special

# Swedish Tiled Stoves

nozzle located at the back, above the refractory lining. This air supply cannot be regulated, but it ensures that fire cannot smoulder.

If the stove has not been used for some time, the initial draught can be improved by lighting a piece of newspaper and inserting it into the hearth. Light the fire by using a firelighter or screwed-up newspaper to ignite about 2.5 kg of sticks and small pieces of wood. The wood is placed horizontally against the back of the hearth. Leave the door slightly open for 10-15 minutes until the fire is burning properly. This also ensures pre-warming of the glass and helps to avoid soot formation.

## Inserting logs

Logs can be put on the fire when there is a proper bed of glowing material. Open the door slowly to avoid smoke gusts. Rake the embers together and pile on the logs (about 3 kg), with a small gap between them to ensure a good air flow. The flue damper and the air intake damper should be fully open at this stage. Avoid large fires since most the heat goes up the chimney and it also tends to shorten the life of the stove. Do not put on more logs while the fire is burning satisfactorily.

## After the fire has died out

When the embers have died down, close the flue damper and the air damper, thus extending the heat-storage phase.

## Chimney sweeping

Normally, the stove and the chimney flues should be swept by a chimney sweep once a year.

Before sweeping, brushing and vacuum-cleaning the hearth and the flue channels, remove the two blocks of vermiculite located above the centre of the hearth. Handle the vermiculite carefully. If you have a rear flue connection, the upper cleaning door provides access to the connection pipe.

If a chimney-fire occurs, or if there is a risk of a chimney-fire, close the flue damper, the air-feed damper and the door. Contact the fire brigade to have the fire extinguished. The chimney must always be inspected by a chimney sweep after a chimney-fire has occurred.

## Optional fan unit

The fan is designed to ensure rapid direct heating, and to improve heat transfer through the house. The heat-transfer process will be more effective if the fan is in operation for some time, and it can be left on after the fire has died down since it helps to make the best possible use of the stove's heat-storage capacity. If you do not require a rapid heat-transfer process or if you have an open-plan layout, you can use the stove without the fan, of course.

## Maintenance

- Soot may form on the glass surfaces, even if dry

wood is used. If you clean the glass panels regularly, rubbing them with dry paper will be sufficient. In the case of a heavy soot deposit, we recommend a conventional cleaning agent or a special soot-removal product stocked by your dealer. Never use a cleaning agent containing abrasive substances, since this may damage the glass.

- It is important to check the state of the door sealing gasket at regular intervals to ensure that "excess air" cannot enter the hearth and interfere with the combustion process
- The grate should be cleaned a couple of times a year, using a wire brush. The bottom of the hearth should be cleaned at the same time.
- Dust may collect in the space underneath the stove since there is a considerable air flow in this location, particularly if a fan is installed. As a result, you should wipe and vacuum-clean the area under and behind the stove at regular intervals, opening the base hatch or, in the case of a tiled model, removing the tiled panel to obtain access. If a fan is installed, it should also be removed and cleaned.
- Tiles should be cleaned with normal household cleaning agents and a soft cloth. Check that the joints are intact and, if required, apply fresh grouting material.
- The gilded or painted front should be wiped with a damp cloth, applying a few drops of washing-up liquid, if necessary. Polishing products should not be used on gilded components.
- Replacement of components located in the hearth – for example the cast-iron bottom plate and the hearth lining – may be required eventually. Their useful life depends on how much the stove is used – and the way it is used.
- Guarantee liabilities: see the separate guarantee certificate.

## Queries and hints

Naturally, if there is anything that is unclear or if you have any problems, you are welcome to ask your dealer, or contact Camina directly. We will be happy to help you to get the most out of your stove.

## Guarantee

### 1. General

The installation of a technical product such as a tiled stove and chimney calls for professional expertise and experience of the product. Installation should therefore be carried out in a professional manner.

### 1. Application

The following conditions apply to the tiled stove and accessories covered by the sales agreement.

### 3. Claims

3.1 The customer should always inspect the products and accessories immediately in connection with receipt of the goods. Check that the consignment is complete and complies with the delivery note and the transport documentation, and that there is no visible transport damage. Notify a claim for transport damage immediately to the transport company (see Transport Damage, below).

3.2 Claims regarding defects in materials and manufacturing should always be addressed to the dealer/seller who sold the product. Purchase must always be confirmed by presentation of a receipt or invoice.

3.3 The seller must be contacted within a reasonable period after the buyer discovers a deficiency – normally within 3-4 weeks. The seller is subsequently entitled to inspect and rectify the fault, within a reasonable period.

### 4. Guarantee conditions

4.1 A five-year (5-year) guarantee is provided as from the delivery date for defects in materials and manufacturing in Camina Swedish Tiled Stoves, with the exception of deficiencies in components specified under Items 4.5 and 4.6. The delivery date is defined as the date on which the transport company delivered the product to the buyer.

4.2 Camina AB undertakes to replace or repair defects in materials or manufacturing covered by this guarantee, at no charge to the buyer. Camina AB, in cooperation with the manufacturer, is to determine appropriate measures to be taken under the guarantee, in the light of the nature and extent of the defect. The manufacturer may request that product components are delivered to the seller for forwarding to the manufacturer for inspection or repair, if the manufacturer considers that this is necessary.

4.3 If the defect is not rectified within three (3) months from the date of the claim, the buyer is entitled to a replacement delivery or a deduction from the sales amount.

4.4 The guarantee does not cover labour costs and other indirect costs in connection with a replacement guarantee delivery covered by the guarantee.

4.5 A twelve (12) month guarantee is provided for components which come into contact with the combustion process, for example the cast-iron base, the hearth lining, glass and tiles. This also applies to accessories such as fans and floor plates. Tiles are hand-crafted products which may be subject to internal tensions that can cause minute cracks and crazing in the glaze. Cracks of this nature and minor differences in the colour of individual tiles resulting from the firing process used do not represent a reduction in quality, and do not constitute grounds for a claim. Small movements in the gaps between tiles may occur, and the joints may require cleaning or "improvement" at the end of the winter. On occasion, the rustic models may require repainting. Such measures are part of normal maintenance procedures.

4.6 The guarantee does not cover defects due to the following:

- failure to comply with care, maintenance or assembly instructions,
- incorrect assembly,
- overheating caused by an incorrect or excessive volume of fuel,
- Storage of the stove in a damp or unheated area,
- misuse,
- normal wear and tear of components such as grates, door sealing gaskets, etc.

### 5. Limited liability

5.1 If the services of the seller or another party are utilised without Camina's consent, the buyer will be invoiced for such costs.

5.2 The guarantee period is not extended as the result of replacements or repairs of parts of the product. Replacement components are not covered by a separate guarantee.

### 6. Transport damage

Claims for transport damage are to be made to the transport company immediately after receipt of the goods, or at least within seven days. Camina AB is not responsible for claims relating to transport damage.

### 7. Other buyer's rights

In addition to the above, the buyer is entitled to the rights that apply under consumer legislation.

### 8. Disputes

In the first instance, the parties are to solve a dispute regarding interpretation of this guarantee by means of a joint agreement. If a solution which is acceptable to both parties cannot be reached, the dispute is to be settled in a public court of law.



***Camina***  
***of Sweden***

Box 225  
S-591 23 Motala  
Sweden  
**[www.camina.se](http://www.camina.se)**